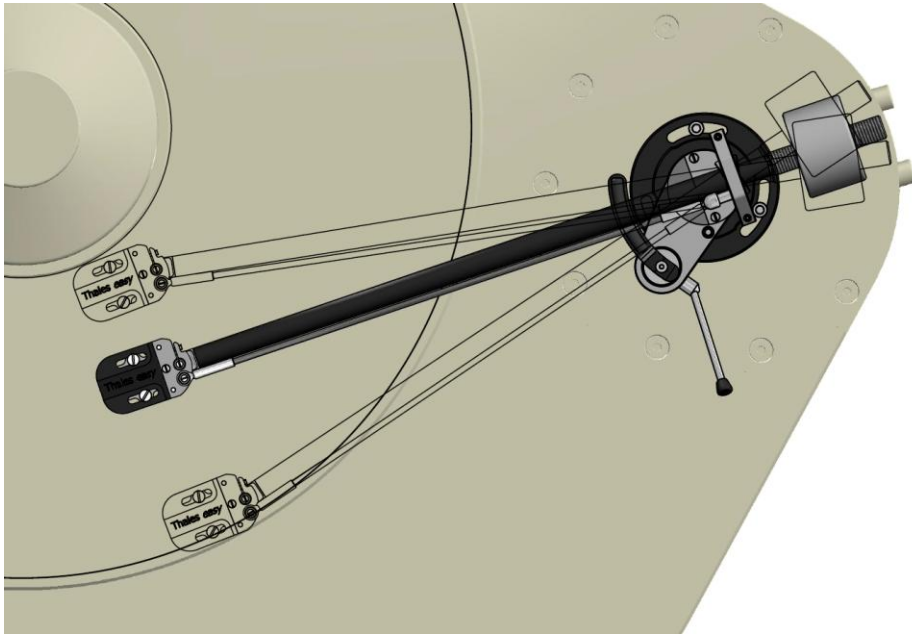


New tonearm: Thales EASY

Introducing their new tonearm: the Thales EASY, the Swiss company THALES TONARM expands its portfolio by producing a new model with a very high level of performance but also at a very competitive price. As expected, the inventor of the Thales tonearm (Micha Huber) has developed a tonearm with variable offset angle, based on a newly developed and highly innovative geometry.



The clever arrangement of six bearing points creates three null points for the horizontal tracking error, plus a zero point for the variable offset angle as well, which is a really novel for a tonearm design. This means the cartridge is guided along the ideal tracing line like that of a parallel tracking tonearm. This reduces side forces tremendously and is audible when listening to the EASY.

The EASY is a very compact and highly integrated design and provides a musical experience that was never possible at this price point before. The EASY was developed and manufactured based on Thales's knowledge and expertise in producing their reference tonearm; the THALES SIMPLICITY, which has become the bench mark for more than 200 clients around the world.



Spindle to Pivot	230mm	(EMT/Ortofon standard)
Effective length:	220mm	
Effective mass:	10gm	
Max. tracking error:	$\pm 0,4^\circ$	(trad. 9" tonearm: 2,2°)
Max. offset angle:	$\pm 12^\circ$	(trad. 9" tonearm: 23°)
Cartridge weight	5g - 20g	
Output connection	5-pin-DIN	(integrated)